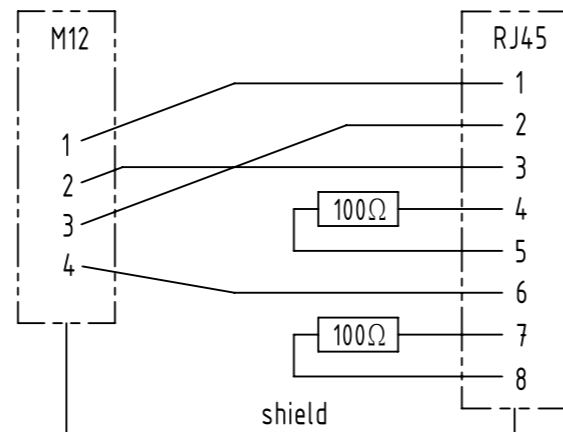
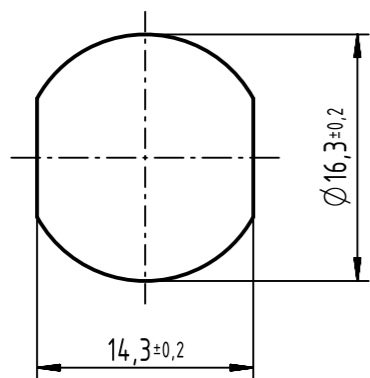


A
panel cut out

circuit diagram



	All Dimensions in mm Original Size DIN A3		Scale 2:1	Free size tol.		Ref. Sub. 21033814401 500000092825 2014.11.04	
	All rights reserved Department EC PD - DE		Created by STORCK	Inspected by WELLMANN	Standardisation KOHLER	Date 2015-08-05	State Final Release
HARTING Electronics GmbH D-32339 Espelkamp		Title adapter M12-RJ45 angled			Doc-Key / ECM-Nr. 100513256/UGD/008/C 500000092825		Rev. C
		Type TB	Number 21033814401		Page 1/1		