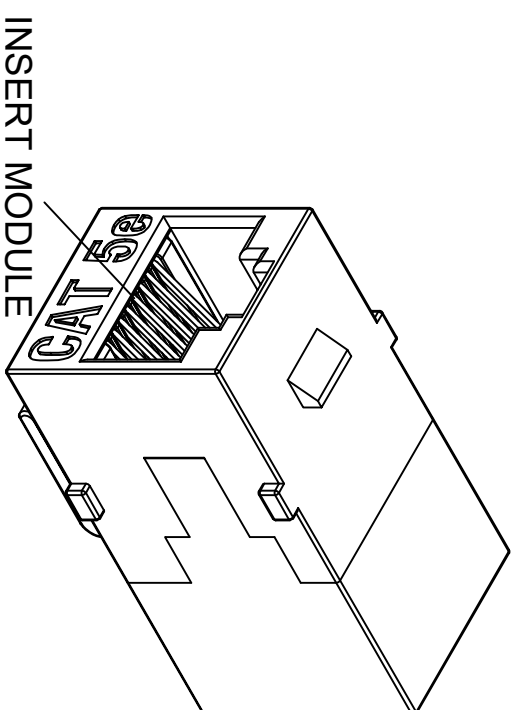
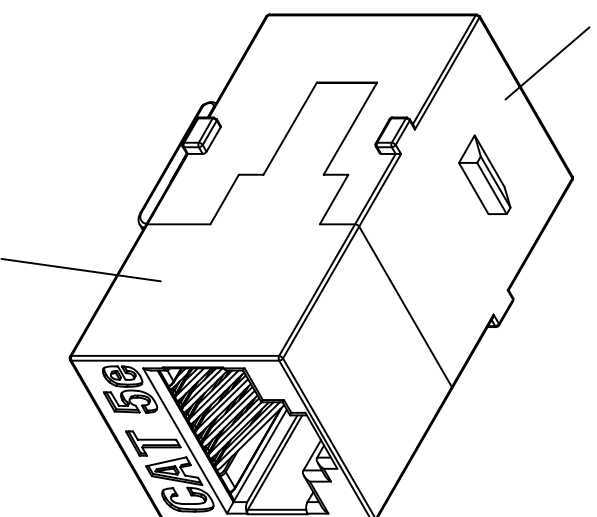


ISOMETRIC VIEW

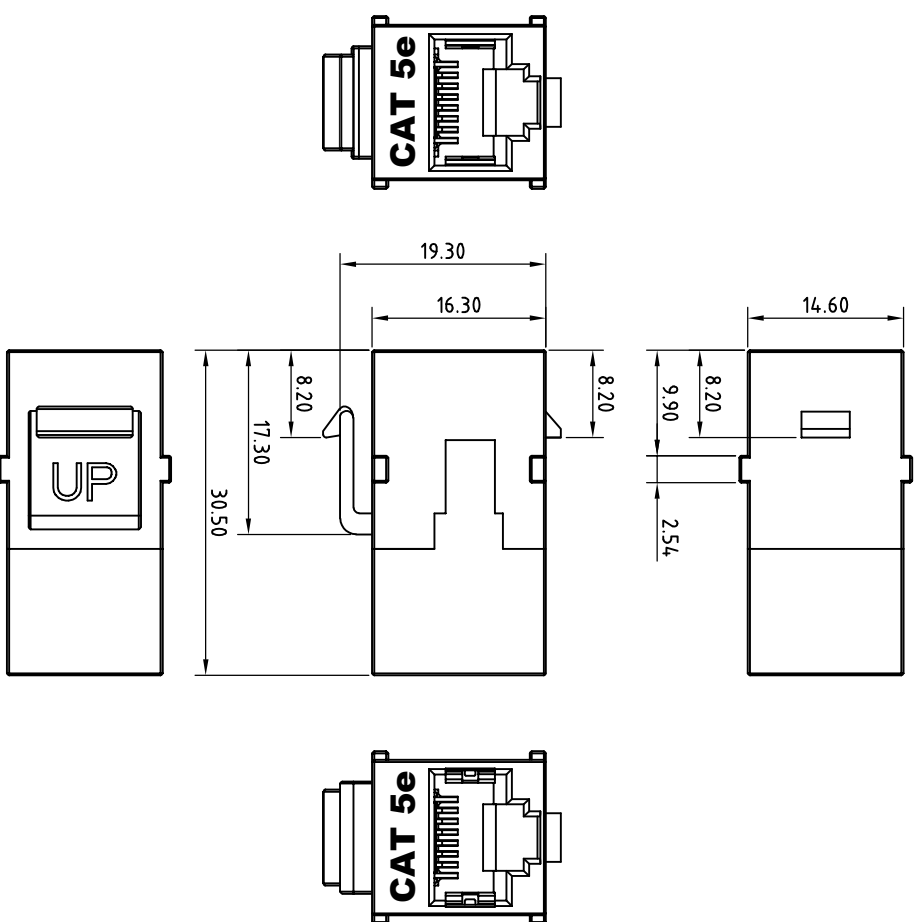


JACK HOUSING LEFT



JACK HOUSING RIGHT

ASSEMBLY DIMENSION



COMPONENTS

ITEM	PART NAME	Q'TY
3	INSERT MODULE	2
2	JACK HOUSING LEFT	1
1	JACK HOUSING RIGHT	1

Transmission Performance:
Meet Cat 5e Channel performance requirements specified in TIA-568-C.2

ELECTRICAL

Electrical Insulation Resistance : 500 MΩ
min. @ 100V d.c.

Dielectric Withstanding Voltage : 1000V d.c. or
a.c. Peak Contact to Contact @ 60Hz for 1
minute,

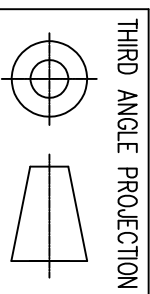
MECHANICAL

Insertion / Extraction Life : 750 Cycles Minimum
PHYSICAL

Housing : High-Impact, Flame-Retardant Plastic,
UL 94V-0
Spring Wire : Phosphor Bronze Alloy Plated With
50 micro-inch of Gold

SS-82000-004

PART NUMBER

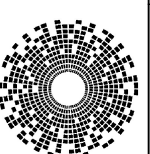


THIRD ANGLE PROJECTION

DO NOT SCALE DRAWING
DRAWING IS SUBJECT TO
CHANGE WITHOUT NOTICE

DIMENSIONS: METRIC
UNLESS OTHERWISE SPECIFIED
TOLERANCES ARE ±0.2
ANGLES ARE ± 1°

SHEET NO. 1 OF 1

**bel**

206 Van Vorst Street
Jersey City, NJ 07302
+1 201 432 0463
<http://www.belfuse.com>

CAT 5e UNSHIELDED KEYSTONE COUPLER JACK

THIS DRAWING AND THE SUBJECT MATTER SHOWN THEREON
ARE CONFIDENTIAL AND THE PROPRIETARY PROPERTY OF
BEL FUSE, INC. AND SHALL NOT BE REPRODUCED,
COPIED, OR USED IN ANY MANNER WITHOUT PRIOR WRITTEN
CONSENT OF BEL FUSE, INC.

DRN BY:	DATE:	DRN BY:	DATE:	REV.
DG	03/14/18	TM	03/14/18	A1
DWG NO.	CT820017			

