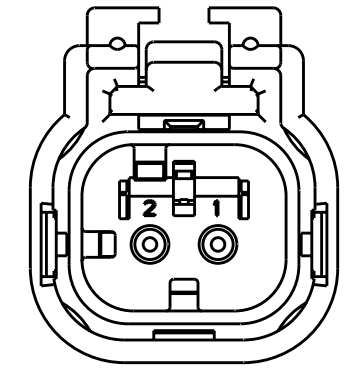
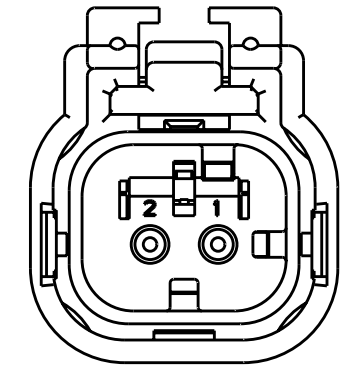


THIS DRAWING IS UNPUBLISHED. RELEASED FOR PUBLICATION 20
 © COPYRIGHT 20 BY - ALL RIGHTS RESERVED.

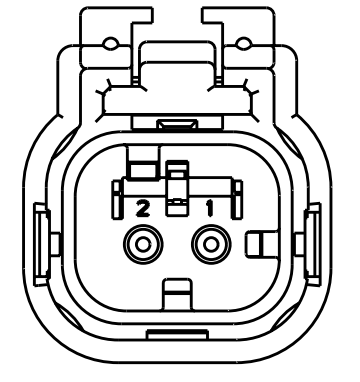
LOC	DIST	REVISIONS					
GE	00	P	LTR	DESCRIPTION	DATE	DWN	APVD
			D2	REVISED PER ECO-11-005030	11MAR2011	RK	HMR



776522-2
SCALE 2:1
KEY B

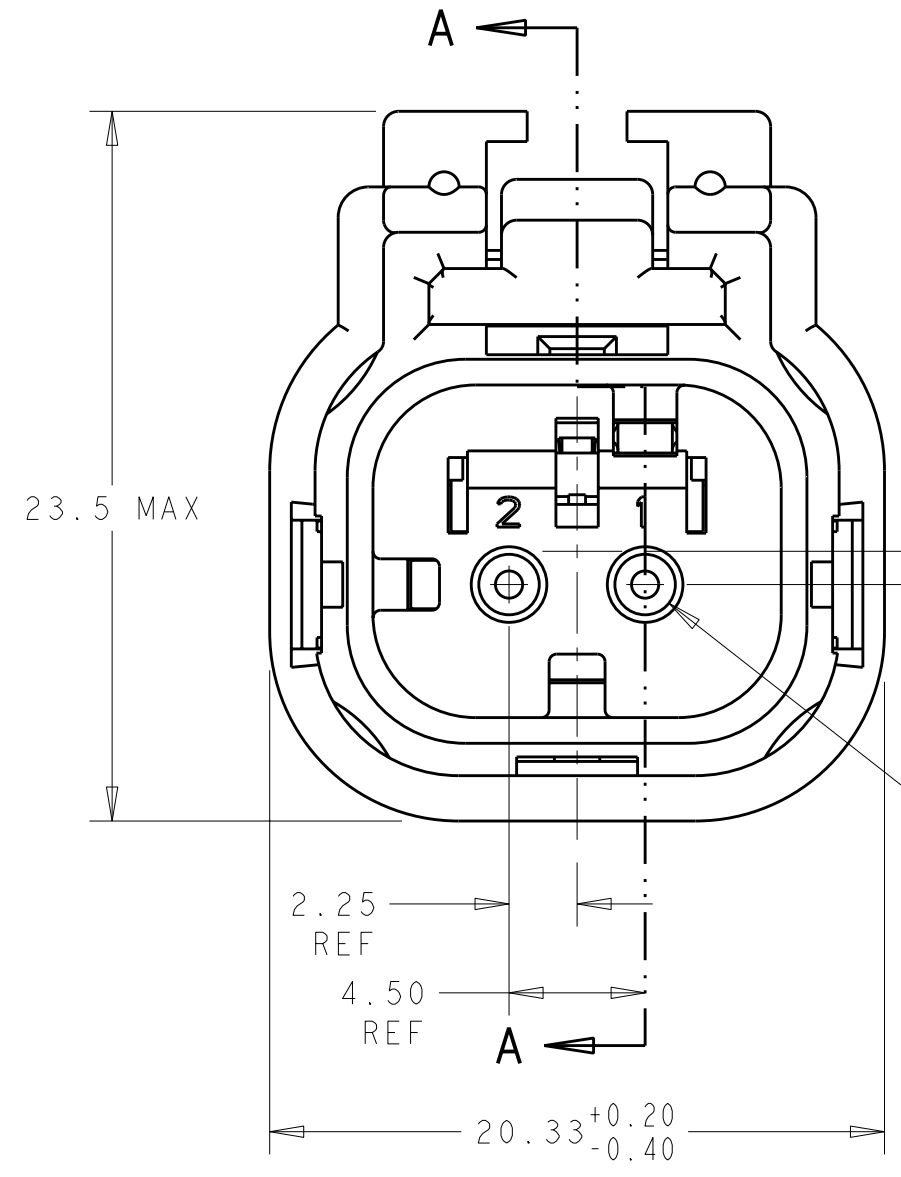


776522-3
SCALE 2:1
KEY C

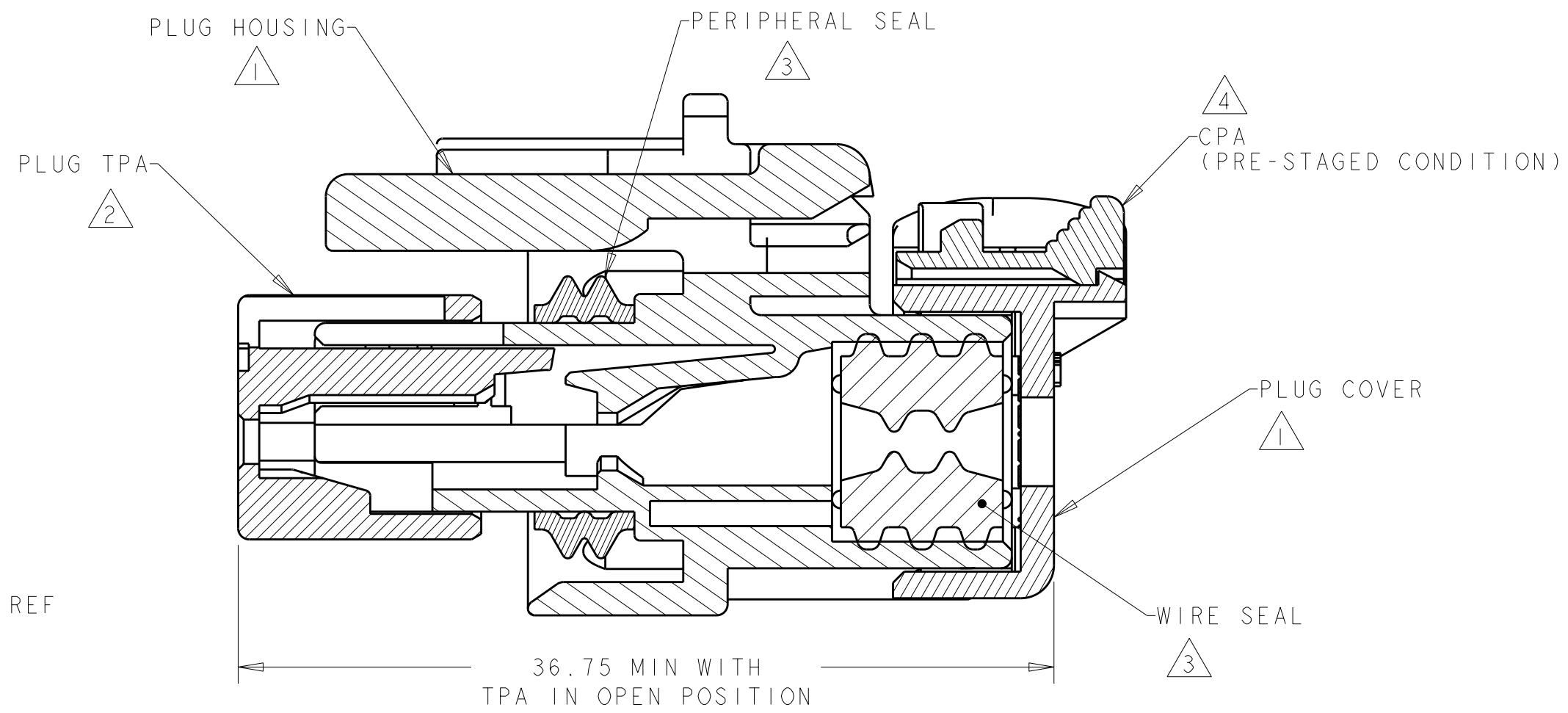


776522-4
SCALE 2:1
KEY D

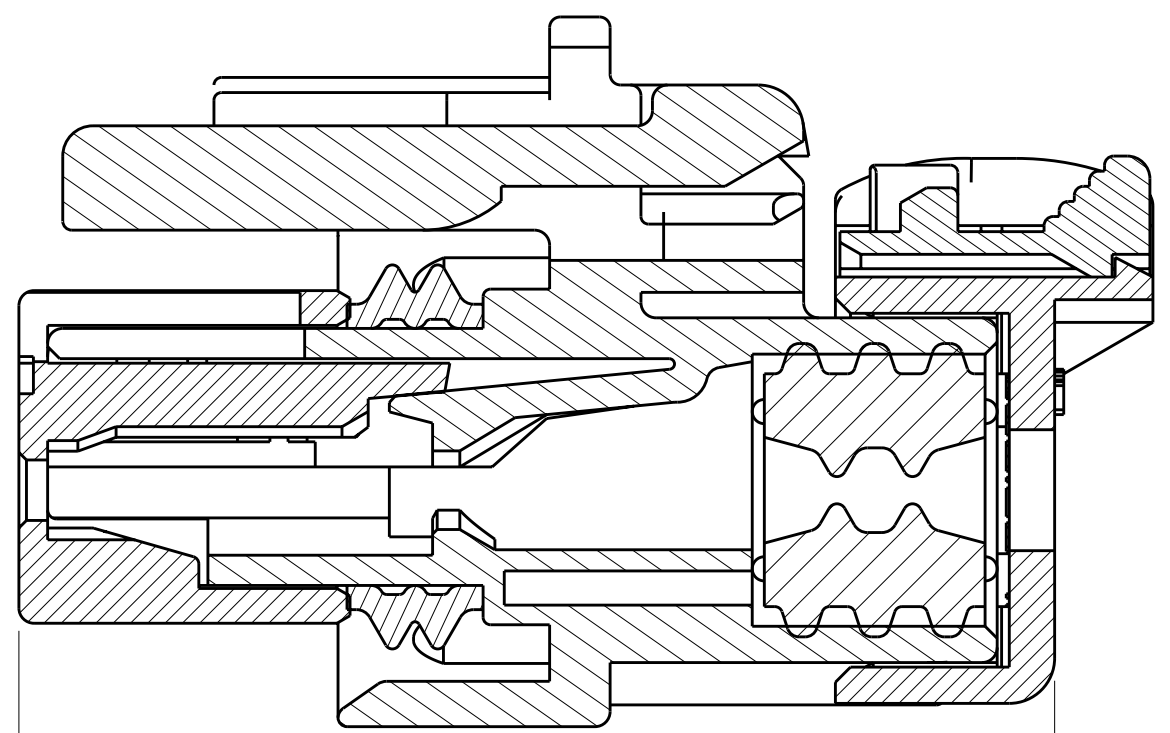
- 1 MATERIAL: 15% GLASS FILLED THERMOPLASTIC
COLOR: BLACK
 - 2 MATERIAL: 15% GLASS FILLED THERMOPLASTIC
COLOR: (SEE TABLE)
 - 3 MATERIAL: SILICONE
COLOR: LIGHT BLUE
 - 4 MATERIAL: 15% GLASS FILLED THERMOPLASTIC
COLOR: RED
5. RECOMMENDED WIRE DIAMETER RANGE IS 1.30 TO 2.54mm.



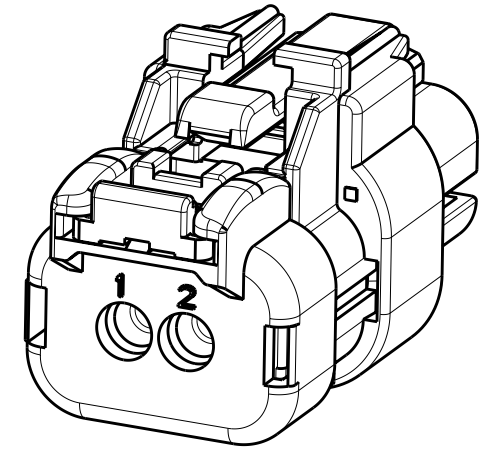
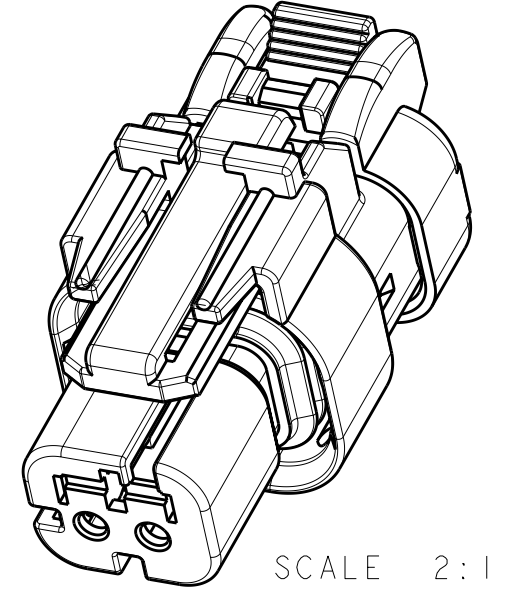
776522-1 SHOWN
KEY A



SECTION A-A



SECTION A-A



KEY	TPA COLOR	PART NUMBER
D	GREEN	776522-4
C	YELLOW	776522-3
B	GRAY	776522-2
A	RED	776522-1

THIS DRAWING IS A CONTROLLED DOCUMENT.

DIMENSIONS:	TOLERANCES UNLESS OTHERWISE SPECIFIED:	DWN	22FEB00
mm	0 PLC ±	CHK	AJ GRAFF
	1 PLC ±	APVD	R. GREINER
	2 PLC ±	APVD	M. TRULLI
	3 PLC ±	PRODUCT SPEC	108-2184
	4 PLC ±	APPLICATION SPEC	114-13065
	ANGLES ±	WEIGHT	8±1g
	FINISH	CUSTOMER DRAWING	

TE Connectivity

PLUG ASSEMBLY,
2 POSITION, SINGLE ROW
REDUCED DIA WIRE SEAL, AMPSEAL 16

SIZE: A2 CAGE CODE: 0779 DRAWING NO: C-776522 RESTRICTED TO: -

SCALE: 4:1 SHEET: 1 OF 1 REV: D2