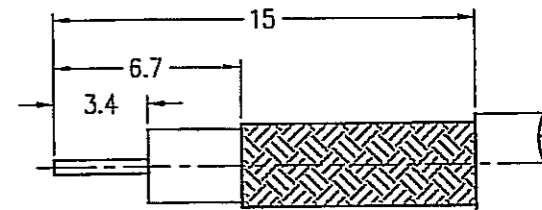
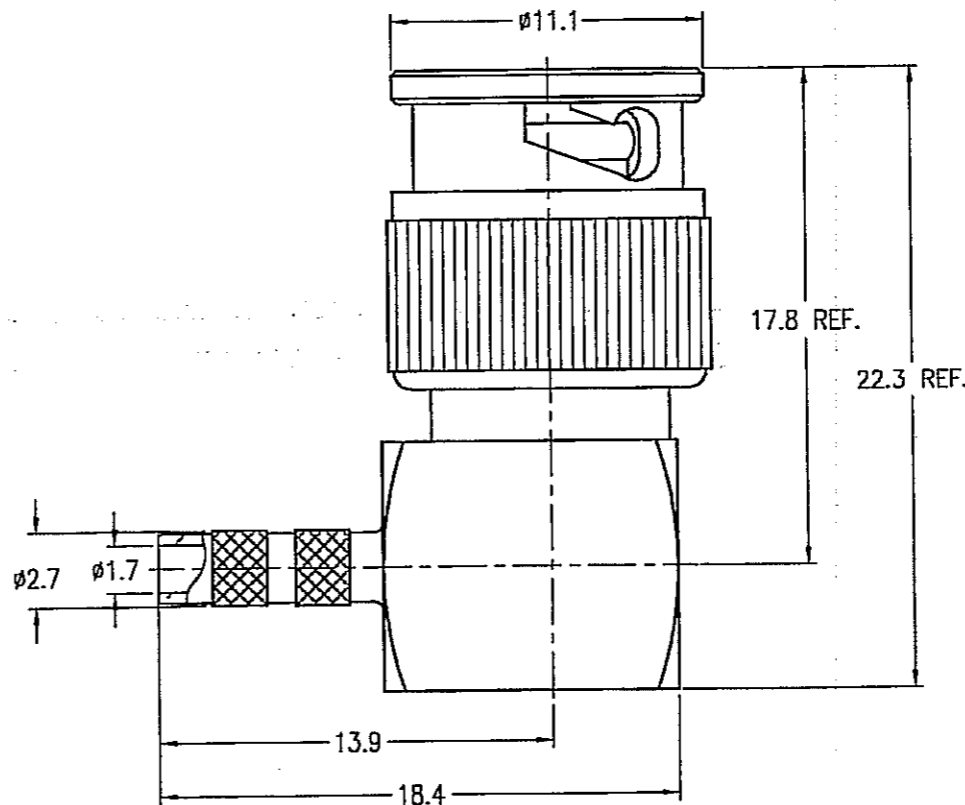
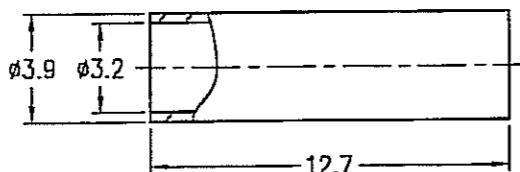


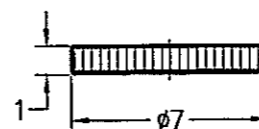
NOTES:

1. MATERIALS AND FINISHES(PLATING THICKNESS IN MICRO-INCHES):  
 BODY - PHOSPHOR BRONZE, NICKEL PLATING  
 CONTACT - BRASS, GOLD PLATING  
 INSULATOR - PTFE
2. ELECTRICAL:  
 A. IMPEDANCE: 75 OHM  
 B. FREQUENCY RANGE: DC-1 GHz  
 C. VSWR(RETURN LOSS): 1.5 MAX.  
 D. DIELECTRIC WITHSTANDING VOLTAGE: 750 VRMS, MIN.
3. CRIMPED FERRULE  
 HEX CRIMP SIZE .128"  
 CONTACT PIN TO SOLDER

MNB1112A1-NT30G-179U-75		REVISIONS			
DRAWING NO.	REV	DESCRIPTION	DATE	ECO	APPR
THIRD ANGLE PROJ.	A	RELEASE TO MFG.	9/16/06	46130	KL



RECOMMENDED  
CABLE STRIPPING DIM'S



**CUSTOMER OUTLINE DRAWING**

ALL OTHER SHEETS ARE FOR INTERNAL USE ONLY

GLOBAL P/N <b>31-70339</b>		UNLESS OTHERWISE SPECIFIED, DIMENSIONS ARE IN METRIC AND TOLERANCES ARE: 0.5 - 6mm ±0.1mm    6 - 30mm ±0.2mm    30 - 120mm ±0.3mm    ANGLES ±1°		DRAWN KATE		DATE 09-Jun-06		TITLE MINI BNC R/A CRIMP PLUG (FOR RG-179/U,187A/U)		Amphenol RF Danbury, CT, USA Tainan, Taiwan Shenzhen, China www.amphenolrf.com	
NOTICE - These drawings, specifications, or other data (1) are, and remain the property of Amphenol Corp. (2) must be returned upon request; and (3) are confidential and not to be disclosed to any person other than those to whom they are given by Amphenol Corp. The furnishing of these drawings, specifications, or other data by Amphenol Corp., or to any other person to anyone for any purpose is not to be regarded by implication or otherwise in any manner licensing, granting rights or permitting such holder or any other person to manufacture, use or sell any product, process or design, patented or otherwise, that may in any way be related to or disclosed by said drawings, specifications, or other data.		MATERIAL		ENGINEER <i>Kate</i>		DATE 09-Jun-06		ITEM NO. 311112AAA19NC7F		SCALE: 3/1 SHEET 2 OF 2	
REFERENCE		APPROVED <i>[Signature]</i>		DATE 6/12/06		CODE ID 74868		DWG SIZE B		DRAWING NO. MNB1112A1-NT30G-179U-75	
FINISH		CAD FILE F:\DWG\MNB\1112A1\179U-75\NT30GSZ		REV A							
PART NO.											