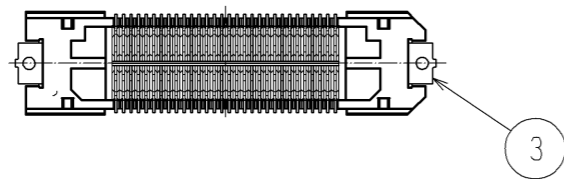
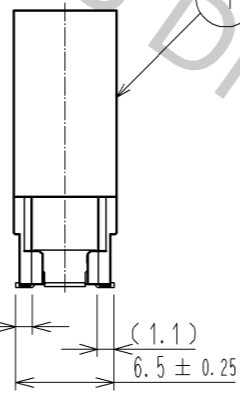
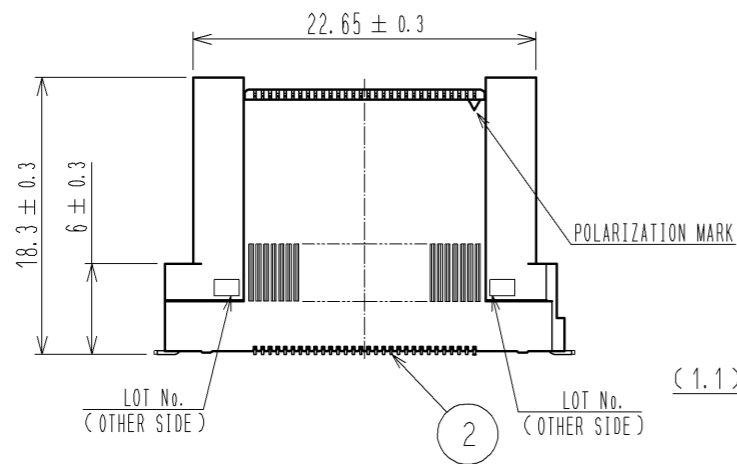
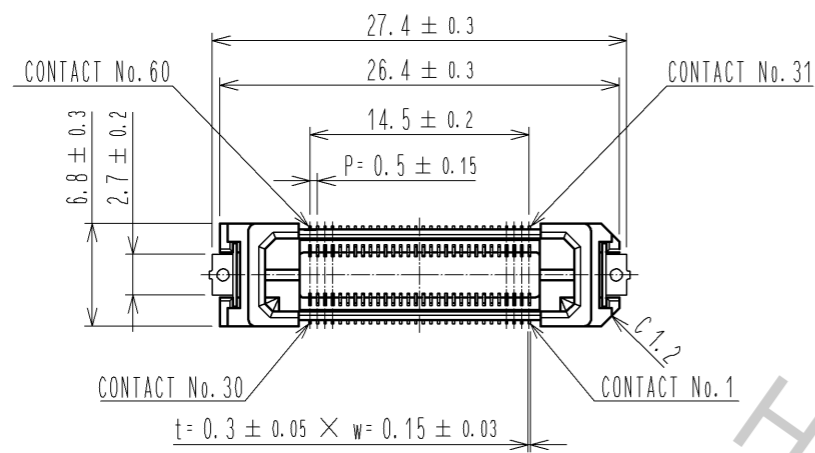
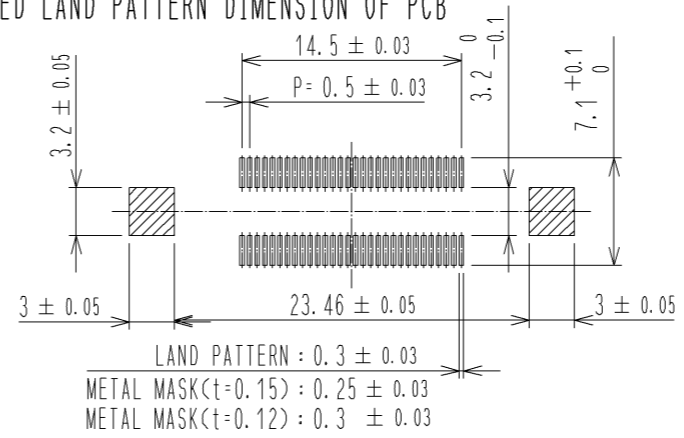
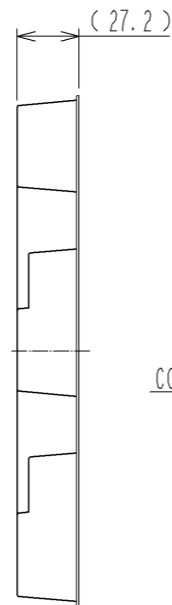
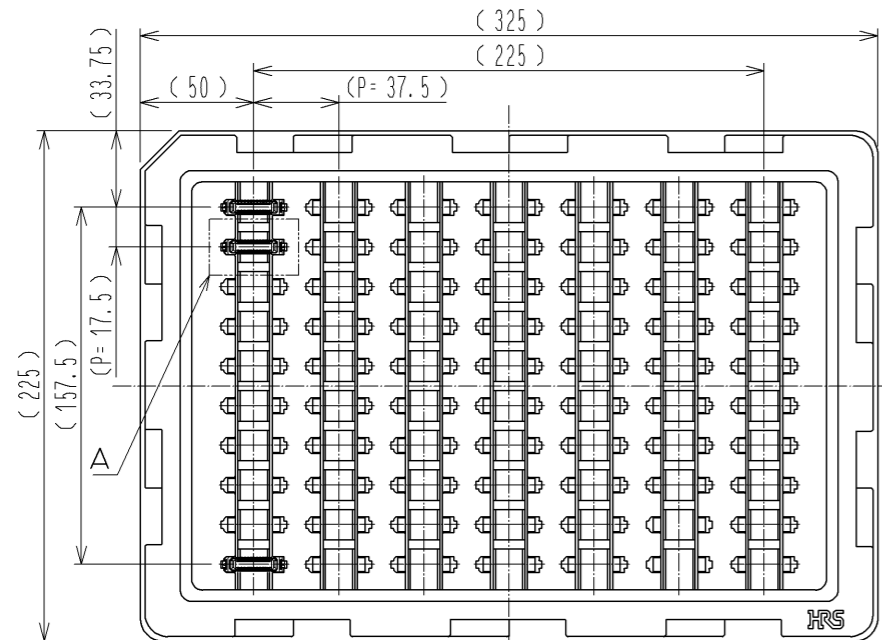


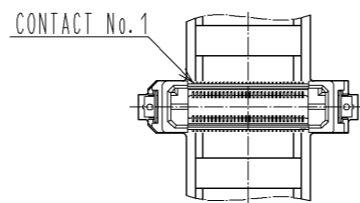
RECOMMENDED LAND PATTERN DIMENSION OF PCB



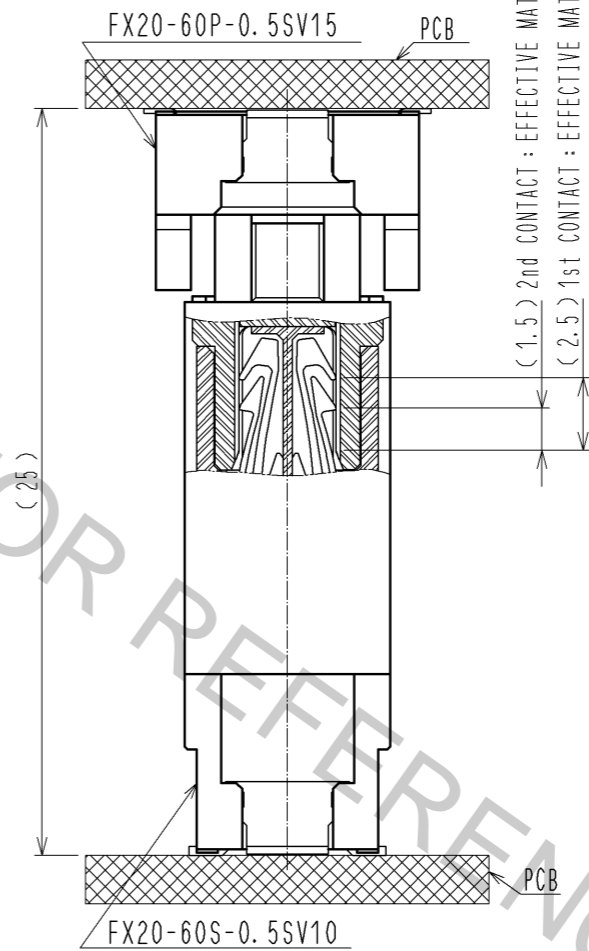
2 DRAWING FOR PACKING(FREE)



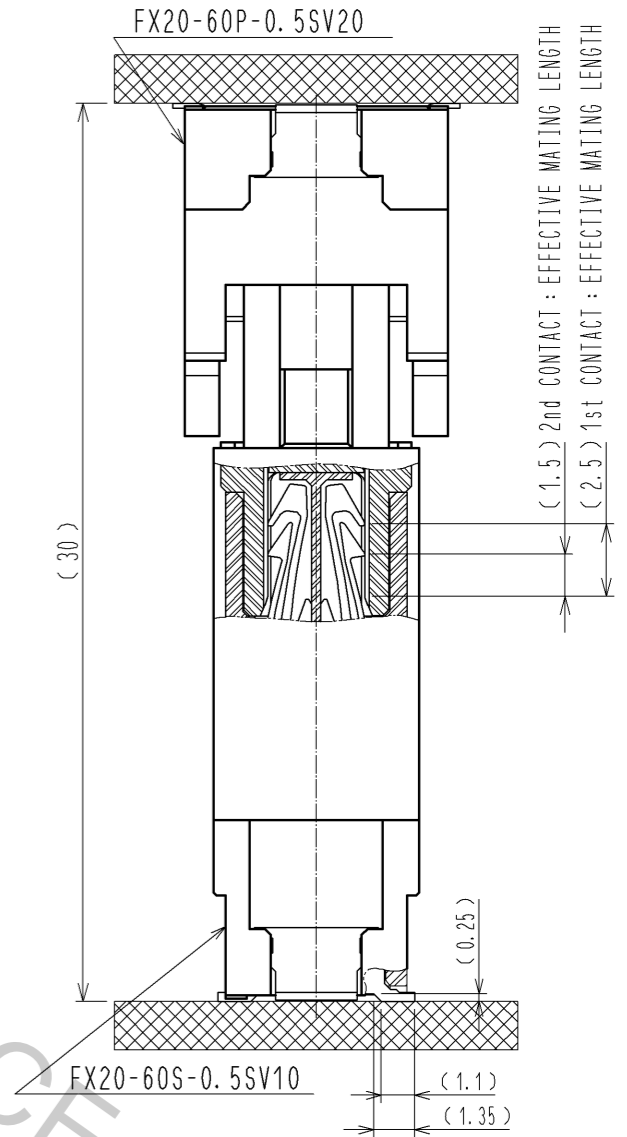
Δ (1 : 1)



CROSS SECTION OF MATING(FREE)



CROSS SECTION OF MATING(FREE)



- NOTE 1 LEAD CO-PLANARITY IS 0.1mm MAX.
 2 THIS IS PACKAGED IN TRAY. (70pcs/TRAY)
 3 BLEMISH AND HIT MARK CAN BE OCCURED THROUGH OUT THE MANUFACTURING PROCESS WHICH DOESN' T AFFECT QUALITY LEVEL.
 4 PLEASE NOTE THAT EXCESSIVE WRENCHING FORCE COULD DAMAGE THIS CONNECTOR. PLEASE REFER TO THE GUIDELINE FOR DETAILED REGULATIONS OF THE MATING METHOD.
 5 THE DIMENSIONS IN PARENTHESES ARE FOR REFERENCES.

1	LCP	BLACK	UL94V-0	3	BRASS	TIN-PLATING 1 μm		
2				2	PHOSPHOR BRONZE	CONTACT AREA:GOLD 0.1 μm LEAD AREA:GOLD 0.03 μm UNDER PLATING:NICKEL 1 μm		
NO.	MATERIAL	FINISH	REMARKS	NO.	MATERIAL	FINISH . REMARKS		
UNITS	mm	SCALE	2 : 1	COUNT	DESCRIPTION OF REVISIONS	DESIGNED	CHECKED	DATE
HRS		HIROSE ELECTRIC CO., LTD.		APPROVED : HS. OKAWA	12.03.06	DRAWING NO. EDC3-336345-00		
				CHECKED : KI. HIROKAWA	12.03.06	PART NO. FX20-60S-0.5SV10		
				DESIGNED : KT. DOI	12.03.02	CODE NO. CL570-1108-4-00		
				DRAWN : KT. DOI	12.03.02	1/1		